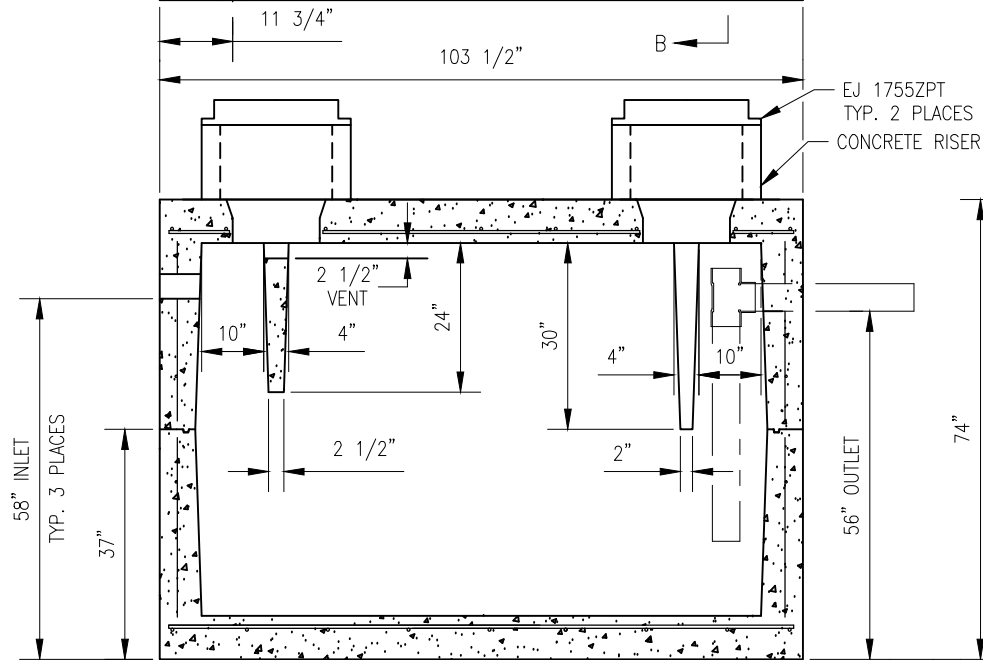
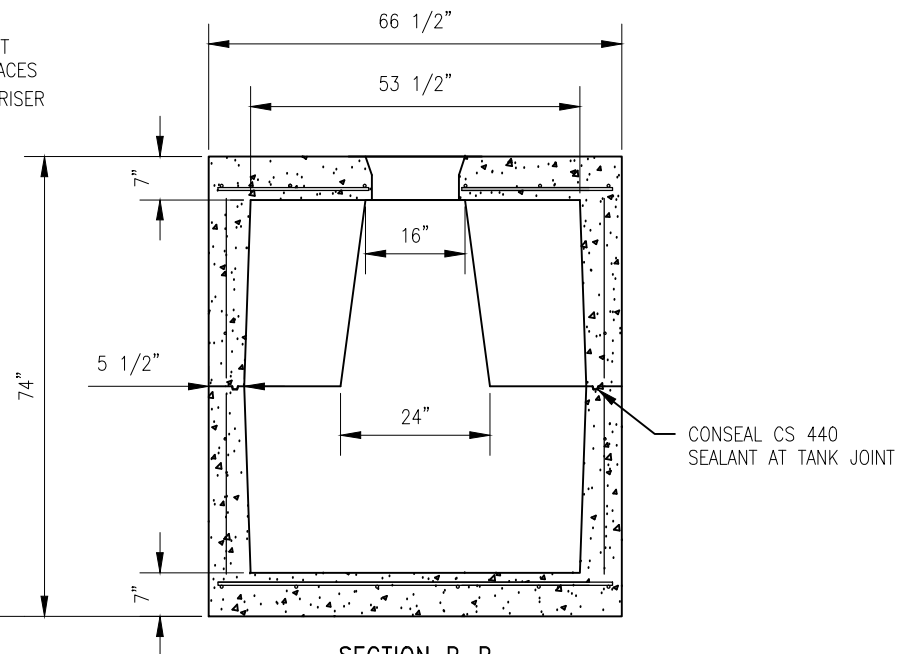


NOTES:
 5,000 PSI CONCRETE
 6X6 WIRE MESH, NO. 3 AND NO. 4 REBAR REINFORCEMENT
 QTY. 4 SEALS - TUF-TITE TS-4-RUBBER
 EACH END & 2 ADDITIONAL SIDE INLETS
 ADDITIONAL TANK CONFIGURATIONS AVAILABLE UPON REQUEST
 OUTLET PLUMBING DONE BY CONTRACTOR

TANK WEIGHTS:
 TOP WEIGHT = 8,800#
 BOTTOM WEIGHT = 8,300#
 TOTAL WEIGHT = 17,100#



SECTION A-A



SECTION B-B



QUAKER CITY CONCRETE PRODUCTS
 290 EAST HIGH STREET
 LEETONIA, OHIO 44431
 PHONE: 330-427-2239
 EMAIL: ESTIMATING@QUAKERCITYCONCRETE.COM

TITLE:

1000 GALLON
 HD GREASE TRAP

SCALE: NONE	DRAWN: TAR	DATE: 02/23/26	REV. NO. 0
----------------	---------------	-------------------	---------------