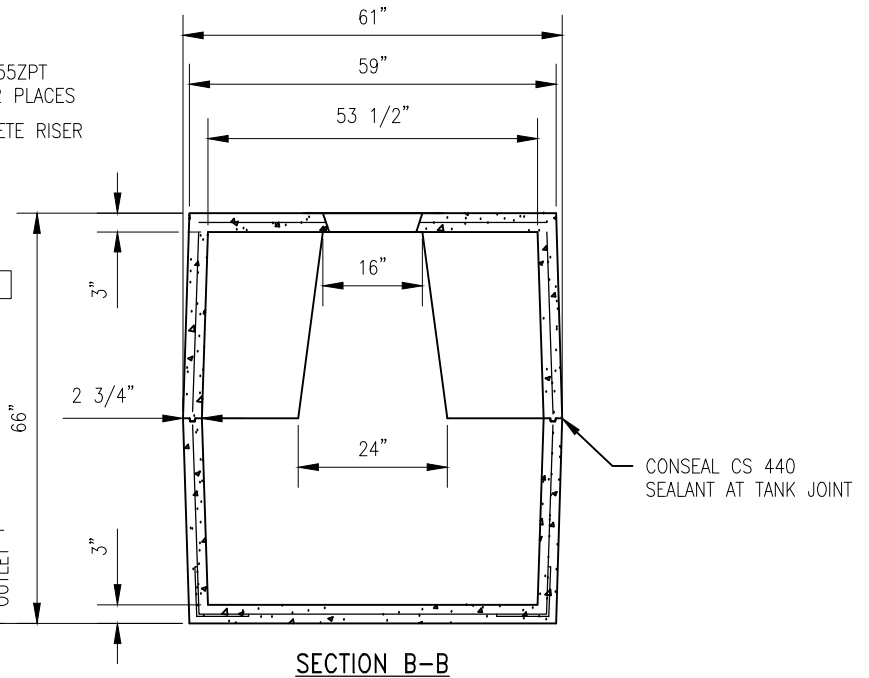
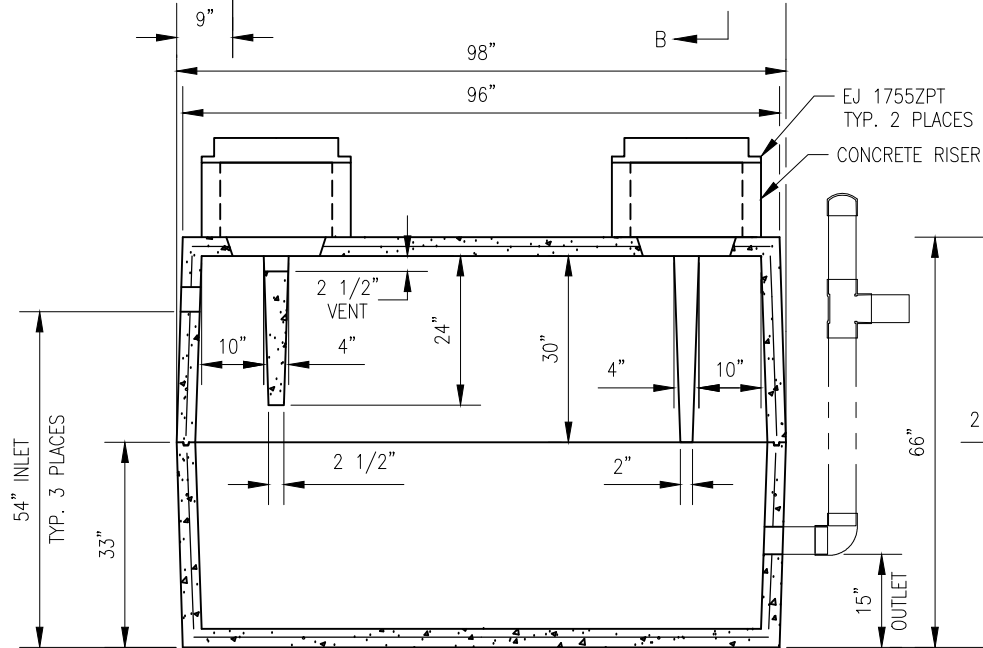


NOTES:
 5,000 PSI CONCRETE
 6X6 WIRE MESH AND NO. 3 REBAR REINFORCEMENT
 QTY. 4 SEALS - TUF-TITE TS-4-RUBBER
 EACH END & 2 ADDITIONAL SIDE INLETS
 ADDITIONAL TANK CONFIGURATIONS AVAILABLE UPON REQUEST
 OUTLET PLUMBING DONE BY CONTRACTOR

TANK WEIGHTS:
 TOP WEIGHT = 4,000#
 BOTTOM WEIGHT = 3,500#
 TOTAL WEIGHT = 7,500#



QUAKER CITY CONCRETE PRODUCTS
 290 EAST HIGH STREET
 LEETONIA, OHIO 44431
 PHONE: 330-427-2239
 EMAIL: ESTIMATING@QUAKERCITYCONCRETE.COM

TITLE:
 1000 GALLON
 OIL SEPARATOR

SCALE: NONE	DRAWN: TAR	DATE: 02/27/26	REV. NO.: 1
----------------	---------------	-------------------	----------------